

Order Form TRACOE *comfort* / *comfort plus* For Custom Made Tubes*

THIS IS A DIGITAL FILLABLE PDF

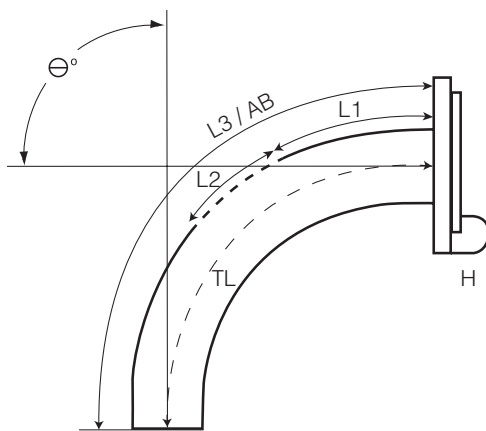
Personal Information

Customer			
Name and contact details			
Name of the patient		Patient ID	

Order

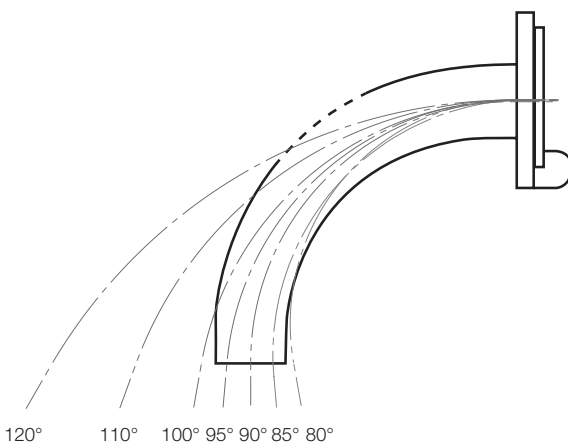
REF + Size	Number of units	Was ordered before	
		Yes <input type="checkbox"/>	No <input type="checkbox"/>
		Order number:	

Product Information



- L1: Distance between neck flange and the start of the fenestration
- L2: Length of fenestration. Distance between the top edge of the first hole and the bottom edge of the last hole of the fenestration
- L3 / AB: Length along outer bend (greatest length)
- TL: Length from the middle line of the neck flange until the end of the tube
- H: Hook indication (top or bottom)

Hook position	
standard	other
<input type="checkbox"/> down	<input type="checkbox"/> up



- Θ° Bending angle: The standard bending angle of *comfort* tubes is about 90°. The standard bending angle of *comfort plus* tubes is about 100°. You can choose angles between 80°-120° (120° = Jatho)

Bending angle		
90°	100°	other
<input type="checkbox"/>	<input type="checkbox"/>	



Specification of the Outer Tube

No fenestration



L3 / AB: _____

TL: _____

With fenestration

Standard fenestration (corresponding to the catalogue)

Double fenestration (on the inner bend)

Hole image of the fenestration	Number of fenestration holes	Diameter/ Height fenestration (in mm)	L1 (in mm)	L2 (in mm)	<input type="checkbox"/> L3 / AB (in mm)		<input type="checkbox"/> TL
		standard options			standard	other	
<input type="checkbox"/> 	1				____ + width ____	<input type="checkbox"/>	
<input type="checkbox"/> 	4	<input type="checkbox"/> 2 <input type="checkbox"/> 2.5				<input type="checkbox"/>	
<input type="checkbox"/> 	6	<input type="checkbox"/> 2 <input type="checkbox"/> 2.5				<input type="checkbox"/>	
<input type="checkbox"/> 	8	<input type="checkbox"/> 2 <input type="checkbox"/> 2.5				<input type="checkbox"/>	
<input type="checkbox"/> 	10	<input type="checkbox"/> 2 <input type="checkbox"/> 2.5				<input type="checkbox"/>	
<input type="checkbox"/> 	12	<input type="checkbox"/> 2 <input type="checkbox"/> 2.5				<input type="checkbox"/>	
<input type="checkbox"/> 	15	<input type="checkbox"/> 2 <input type="checkbox"/> 2.5				<input type="checkbox"/>	
<input type="checkbox"/> Other							

Specification of the Inner Tube

Number of inner cannulas:

Standard (corresponding to the catalogue)

Other _____

Inner cannula	Fenestrated	Non-fenestrated	15 mm connector	22 mm adapter	Base / Plinth	Swivel speaking valve		Additional oxygen supply port
						Type A	Type B	
1	<input type="checkbox"/>	<input type="checkbox"/>	<input type="checkbox"/>	<input type="checkbox"/>	<input type="checkbox"/>	<input type="checkbox"/>	<input type="checkbox"/>	<input type="checkbox"/>
2	<input type="checkbox"/>	<input type="checkbox"/>	<input type="checkbox"/>	<input type="checkbox"/>	<input type="checkbox"/>	<input type="checkbox"/>	<input type="checkbox"/>	<input type="checkbox"/>
3	<input type="checkbox"/>	<input type="checkbox"/>	<input type="checkbox"/>	<input type="checkbox"/>	<input type="checkbox"/>	<input type="checkbox"/>	<input type="checkbox"/>	<input type="checkbox"/>
4	<input type="checkbox"/>	<input type="checkbox"/>	<input type="checkbox"/>	<input type="checkbox"/>	<input type="checkbox"/>	<input type="checkbox"/>	<input type="checkbox"/>	<input type="checkbox"/>

Ideas & Supplements

Appendix: _____



If you have any questions, please contact us by phone at +49 6136 9169-320

**Please fill out the order form and send it to order@tracoe.com
or via fax to +49 6136 9169-289**

Date

Signature and company stamp

* Please note that the delivery time for the custom made tube is extended and the product is excluded from return.

